

INTERNATIONAL STANDARD

NORME INTERNATIONALE



**Power line communication systems for power utility applications –
Part 3: Digital Power Line Carrier (DPLC) Terminals and hybrid ADPLC Terminals**

**Systèmes de communication sur lignes d'énergie pour les applications des
compagnies d'électricité –
Partie 3: Équipements terminaux à courants porteurs sur lignes d'énergie
numériques (DPLC) et équipements terminaux hybrides ADPLC**

INTERNATIONAL
ELECTROTECHNICAL
COMMISSION

COMMISSION
ELECTROTECHNIQUE
INTERNATIONALE

ICS 33.200

ISBN 978-2-8322-5329-8

**Warning! Make sure that you obtained this publication from an authorized distributor.
Attention! Veuillez vous assurer que vous avez obtenu cette publication via un distributeur agréé.**

CONTENTS

FOREWORD.....	7
INTRODUCTION.....	9
1 Scope.....	10
2 Normative references	11
3 Terms, definitions and abbreviated terms	12
3.1 Terms and definitions.....	12
3.2 Abbreviated terms.....	13
4 Generic structure of DPLC and ADPLC terminals	14
5 Access side interfaces.....	17
5.1 General.....	17
5.2 Digital interfaces.....	17
5.2.1 Ethernet IEEE 802.3 interface.....	17
5.2.2 Serial interface	18
5.3 Analogue interfaces	18
5.4 Teleprotection system interface	19
5.4.1 Description	19
5.4.2 Integrated teleprotection.....	19
5.4.3 Teleprotection interface frequency band	19
5.4.4 Teleprotection interface impedance	19
5.4.5 Teleprotection interface reflection.....	19
5.4.6 Teleprotection interface signal levels.....	20
5.4.7 Teleprotection interface control circuits.....	20
6 HF line interface	20
6.1 DPLC high frequency band & channeling	20
6.2 Frequency accuracy.....	21
6.3 Signal levels	21
6.4 In-band emissions.....	21
6.5 Nominal impedance	21
6.6 Return loss	21
6.7 Degree of unbalance to earth.....	21
6.8 Tapping loss	21
6.9 Spurious emissions.....	22
6.10 Nominal output power in the high frequency band	23
7 Quality and performance.....	23
7.1 General.....	23
7.2 Dynamic range of the DPLC receiver	24
7.3 Bit rate.....	24
7.4 Start-up time	25
7.5 Recovery time after synchronization loss	25
7.6 Sensitivity	25
7.7 Selectivity	25
7.8 Adaptability to line conditions.....	25
7.9 Quality of voice channels	25
7.10 Telephone signalling transmission	26

7.11	Quality on the serial DATA channels	26
7.11.1	General	26
7.11.2	Bit rate	26
7.11.3	BER.....	26
7.11.4	Nominal transmission link delay.....	27
7.12	Quality of the frame transmission using Ethernet interfaces	27
7.12.1	General	27
7.12.2	LAN to LAN Speed	27
7.12.3	LAN to LAN latency	27
7.12.4	Packet loss on the LAN transfer.....	27
8	Testing	27
8.1	General.....	27
8.2	Test setup for DPLC link tests.....	28
8.3	Signal to noise ratio	28
8.4	Return loss	28
8.5	Degree of unbalance to earth.....	30
8.5.1	General	30
8.5.2	Longitudinal conversion loss.....	30
8.5.3	Output signal balance	31
8.6	Tapping loss	31
8.7	Spurious and in-band emissions	32
8.8	Selectivity	33
8.9	Bit error rate	35
8.10	Serial data transmission delay	37
8.11	Dynamic range of the DPLC receiver	38
8.12	LAN to LAN testing	38
8.12.1	General	38
8.12.2	Maximum LAN to LAN throughput.....	39
8.12.3	LAN to LAN latency	39
8.13	Start-up time	39
8.14	Recovery time after synchronization loss	39
9	Configuration and management	40
9.1	General.....	40
9.2	Configuration	40
9.3	Network management system	40
9.4	Local terminal alarms.....	40
9.5	Event logging.....	41
10	Cyber security	41
10.1	General.....	41
10.2	Transmitted payload	41
10.3	Management interface	41
10.3.1	General	41
10.3.2	Legacy-style management interfaces / Manufacturer-specific management interfaces	42
10.3.3	LAN/WAN connected management interfaces	42
10.3.4	Authentication and role-base model.....	42

10.4	Network management system interface	42
10.5	Security-related event logging.....	43
11	DPLC safety	43
11.1	General.....	43
11.2	Safety reference standard	43
11.3	Classification of DPLC terminals	43
11.4	Ingress protection	44
11.5	Type and routine tests	45
12	Storage and transportation, operating conditions, power supply.....	47
12.1	Storage and transportation.....	47
12.1.1	Climatic conditions	47
12.1.2	Mechanical	48
12.2	Operating conditions	50
12.2.1	Climatic conditions	50
12.2.2	Mechanical	51
12.2.3	Operating conditions set of tests.....	51
12.3	Power supply	52
12.3.1	AC supply	52
12.3.2	DC supply.....	52
13	EMC	53
13.1	Emission and immunity reference standards	53
13.2	Emission	53
13.2.1	Radiated and conducted emission	53
13.2.2	Low frequency disturbance emission	58
13.3	Immunity	58
13.3.1	EMC environment	58
13.3.2	Functional requirements	60
13.3.3	Immunity test list	60
Annex A (informative)	HF modulated power signal for ADPLC.....	63
A.1	General.....	63
A.2	Computation model of ADPLC.....	63
A.3	Distribution of E/U ratio of voice channels.....	65
A.4	Distribution of E/U ratio of sinusoidal waves.....	67
A.5	Example of E/U ratio of a digital signal.....	68
A.6	Composite distribution of E/U ratios	69
A.7	RMS power and load capacity of voice signals	71
A.8	Comprehensive load capacity for ADPLC	73
A.9	Simplified computation method for comprehensive load capacity	74
Bibliography	75

Figure 1	– Schematic representation of the elements needed to implement a PLC system.....	11
Figure 2	– Generic architecture of a DPLC terminal	15
Figure 3	– Generic structure of an ADPLC terminal.....	16
Figure 4	– ETH IEEE 802.3 RJ45 type connector	17
Figure 5	– ETH IEEE 802.3 SC type connector	18

Figure 6 – Tapping loss limits for DPLC terminals	22
Figure 7 – Max level of spurious emissions outside the high frequency band	23
Figure 8 – Reference points for measuring DPLC parameters	24
Figure 9 – Block diagram of a serial data channel	26
Figure 10 – Test circuit for return loss measurement.....	29
Figure 11 – Test circuit for LCL measurement (transmission port).....	30
Figure 12 – Test circuit for OSB measurement (Rx port)	31
Figure 13 – Test circuit for tapping loss measurement	32
Figure 14 – Test circuit for spurious and in-band emissions measurement	33
Figure 15 – Test circuit for selectivity measurement.....	34
Figure 16 – Test circuit for bit error rate measurement.....	36
Figure 17 – Test circuit for serial data transmission delay measurement with a data tester	37
Figure 18 – Test circuit for serial data transmission delay measurement.....	37
Figure 19 – Test circuit for maximal throughput and latency measurement.....	38
Figure 20 – LF disturbances measurement setup	58
Figure A.1 – Calculation model of load capacity for ADPLC	64
Figure A.2 – Cumulative distributions of E/U ratio of voice channels for positive half	66
Figure A.3 – Probability density of combined sine waves	67
Figure A.4 – Constellation diagram of 64 QAM.....	68
Figure A.5 – Amplitude spectra of unmodulated OFDM sub-carriers.....	68
Figure A.6 – Probability of constellation point power in 64 QAM.....	69
Figure A.7 – Cumulative distribution of comprehensive E/U ratios.....	70
Figure A.8 – Cumulative distribution of equivalent volume for N system channel.....	72
Table 1 – Dependence of voice channel quality vs. DPLC capacity	26
Table 2 – Basic insulation (Table C.6 of IEC 60255-27:2013).....	43
Table 3 – Double or reinforced insulation (Table C.10 of IEC 60255-27:2013)	44
Table 4 – List of Type and Routine Tests (Table 12 of IEC 60255-27:2013)	46
Table 5 – Classification of climatic conditions (Table 1 of IEC 60721-3-1:1997)	47
Table 6 – Climatic tests for storage and transportation.....	48
Table 7 – Classification of mechanical conditions for transportation (Table 5 of IEC 60721-3-2:1997)	49
Table 8 – Classification of climatic conditions from Table 1 of IEC 60721-3-3:2002	50
Table 9 – Classification of mechanical conditions from Table 6 of IEC 60721-3-3:2002.....	51
Table 10 – Climatic Tests	51
Table 11 – Sinusoidal vibration test	52
Table 12 – Non-repetitive shock test.....	52
Table 13 – Emission – Enclosure port (Table 1 of IEC 61000-6-4:2011).....	54
Table 14 – Emission – Low voltage AC and DC mains port (Table 2 of IEC 61000-6-4:2011).....	56
Table 15 – Emission – Telecommunications/network port (Table 3 of IEC 61000-6-4:2011).....	57
Table 16 – Characterization of the electromagnetic phenomena (Table 1 of IEC 61000-6-5:2015).....	59
Table 17 – Port classification	59

Table 18 – Performance criteria	60
Table 19 – Immunity test list	61
Table A.1 – Approximation formula for E/U cumulative distribution of speech.....	66
Table A.2 – PDF of constellation point power in 64 QAM constellation diagram	69
Table A.3 – Calculation of $P_{RMS}(1\%)$ and load capacity.....	73

INTERNATIONAL ELECTROTECHNICAL COMMISSION

**POWER LINE COMMUNICATION SYSTEMS
FOR POWER UTILITY APPLICATIONS –**
**Part 3: Digital Power Line Carrier (DPLC) Terminals
and hybrid ADPLC Terminals**

FOREWORD

- 1) The International Electrotechnical Commission (IEC) is a worldwide organization for standardization comprising all national electrotechnical committees (IEC National Committees). The object of IEC is to promote international co-operation on all questions concerning standardization in the electrical and electronic fields. To this end and in addition to other activities, IEC publishes International Standards, Technical Specifications, Technical Reports, Publicly Available Specifications (PAS) and Guides (hereafter referred to as "IEC Publication(s)"). Their preparation is entrusted to technical committees; any IEC National Committee interested in the subject dealt with may participate in this preparatory work. International, governmental and non-governmental organizations liaising with the IEC also participate in this preparation. IEC collaborates closely with the International Organization for Standardization (ISO) in accordance with conditions determined by agreement between the two organizations.
- 2) The formal decisions or agreements of IEC on technical matters express, as nearly as possible, an international consensus of opinion on the relevant subjects since each technical committee has representation from all interested IEC National Committees.
- 3) IEC Publications have the form of recommendations for international use and are accepted by IEC National Committees in that sense. While all reasonable efforts are made to ensure that the technical content of IEC Publications is accurate, IEC cannot be held responsible for the way in which they are used or for any misinterpretation by any end user.
- 4) In order to promote international uniformity, IEC National Committees undertake to apply IEC Publications transparently to the maximum extent possible in their national and regional publications. Any divergence between any IEC Publication and the corresponding national or regional publication shall be clearly indicated in the latter.
- 5) IEC itself does not provide any attestation of conformity. Independent certification bodies provide conformity assessment services and, in some areas, access to IEC marks of conformity. IEC is not responsible for any services carried out by independent certification bodies.
- 6) All users should ensure that they have the latest edition of this publication.
- 7) No liability shall attach to IEC or its directors, employees, servants or agents including individual experts and members of its technical committees and IEC National Committees for any personal injury, property damage or other damage of any nature whatsoever, whether direct or indirect, or for costs (including legal fees) and expenses arising out of the publication, use of, or reliance upon, this IEC Publication or any other IEC Publications.
- 8) Attention is drawn to the normative references cited in this publication. Use of the referenced publications is indispensable for the correct application of this publication.
- 9) Attention is drawn to the possibility that some of the elements of this IEC Publication may be the subject of patent rights. IEC shall not be held responsible for identifying any or all such patent rights.

This International Standard has been prepared by IEC technical committee 57: Power systems management and associated information exchange.

This first edition of IEC 62488-3 cancels and replaces the relevant parts of IEC TR 60663 and IEC 60495, which will be withdrawn at a later date.

The text of this standard is based on the following documents:

FDIS	Report on voting
57/2355/FDIS	57/2372/RVD

Full information on the voting for the approval of this standard can be found in the report on voting indicated in the above table.

This publication has been drafted in accordance with the ISO/IEC Directives, Part 2.

A list of all the parts in the IEC 62488 series, published under the general title *Power line communication systems for power utility applications* can be found on the IEC website

The committee has decided that the contents of this publication will remain unchanged until the stability date indicated on the IEC website under "<http://webstore.iec.ch>" in the data related to the specific document. At this date, the document will be

- reconfirmed,
- withdrawn,
- replaced by a revised edition, or
- amended.

IMPORTANT – The 'colour inside' logo on the cover page of this publication indicates that it contains colours which are considered to be useful for the correct understanding of its contents. Users should therefore print this document using a colour printer.

INTRODUCTION

Since the first introduction of power line carrier communications in the power systems industry this form of communication has become widely spread throughout the world. This worldwide development will be covered by new standards reflecting the current state of the art in digital PLC communications.

The communication services offered by modern digital power line carrier links and networks enable a high efficiency of data transmission and therefore a low level of operational costs of automation equipment especially for long high-voltage power transmission lines.

Analogue and digital PLC terminals may co-exist using principles of frequency division multiplexing, allowing a successive digitalization of PLC based communications.

Digital PLC terminals may also be combined with traditional analogue PLC transmission paths as hybrid analog & digital PLC equipment, offering reliable and seamless communication for control and/or protection operating at extra high-, high- and medium-voltage levels of the electrical transmission networks and at high-voltage electrical distribution networks.

IEC 62488 consists of four parts dealing with all aspects of power line communication systems operating over electricity power lines.

IEC 62488 applies to power line carrier terminals and systems (PLC) used to transmit information over power networks including extra high, high and medium voltage (EHV/HV/MV) power lines.

Currently this standard series is organised as follows:

- IEC 62488-1, *Planning of analogue and digital power line carrier systems operating over EHV/HV/MV electricity grids*
- IEC 62488-2, *Analogue Power Line Carrier terminals or APLC*
- IEC 62488-3, *Digital Power Line Carrier terminals or DPLC and hybrid ADPLC Terminals*
- IEC 62488-4, *Broadband Power Line systems or BPL*

NOTE IEC 62488-4 has not yet been published.

This document is the third part of IEC 62488 and is composed of the following Clauses:

- Clause 1 – Scope of IEC 62488-3
- Clause 2 – Normative references
- Clause 3 – Terms, definitions and abbreviation contains newly introduce in this document additionally to IEC 62488-1 and IEC 62488-2
- Clause 4 – Introduces generic architectures of DPLC and hybrid ADPLC terminals.
- Clause 5 – Defines access side interfaces of DPLC and hybrid ADPLC terminals.
- Clause 6 – Describes transmission line side high frequency interface and defines related parameters
- Clause 7 – Gives several requirements concerning quality and performance of a single or a couple of interconnected DPLC terminals
- Clause 8 – Defines test setup and describes testing methodology
- Clause 9 – Describes configuration and management requirements for DPLC terminals
- Clause 10 – Describes general requirements regarding cyber security
- Clause 11 – Specifies safety requirements
- Clause 12 – Specifies requirements for storage and transportation, operating conditions, power supply
- Clause 13 – Specifies EMC requirements

POWER LINE COMMUNICATION SYSTEMS FOR POWER UTILITY APPLICATIONS –

Part 3: Digital Power Line Carrier (DPLC) Terminals and hybrid ADPLC Terminals

1 Scope

This part of IEC 62488 applies to power line carrier terminals and networks used to transmit information over power networks including extra high, high and medium voltage (EHV/HV/MV) power lines using both digital and optionally analogue modulation systems in a frequency range between 16 kHz and 1 MHz (see also IEC 62488-1).

In many countries, power line carrier (PLC) channels represent a significant part of the utility-owned telecommunication system. A circuit normally routed via a PLC channel can also be routed via a channel using a different transmission medium such as point to point radio, optical fibre or open wire circuit.

It is therefore important that the input and output interfaces that are used between terminals in the communication system are standardised.

The issues requiring consideration of DPLC and/or APLC devices as parts of a telecommunication network can be found in IEC 62488-1.

Figure 1 shows the correspondence between the elements needed to implement PLC systems and the related International Standards.

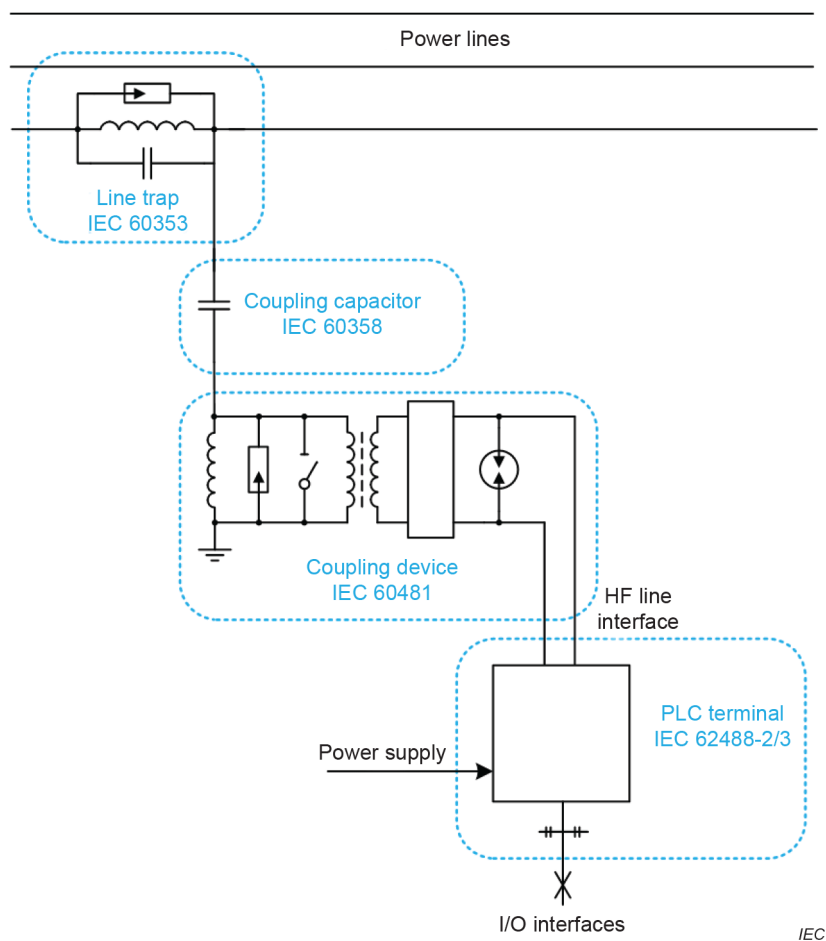


Figure 1 – Schematic representation of the elements needed to implement a PLC system

The scope of this document also includes the description of I/O interfaces and test set-ups that are necessary to qualify characteristics of DPLC or ADPLC terminal at link level.

2 Normative references

The following documents are referred to in the text in such a way that some or all of their content constitutes requirements of this document. For dated references, only the edition cited applies. For undated references, the latest edition of the referenced document (including any amendments) applies.

IEC 60038, *IEC standard voltages*

IEC 60050-151:2001, *International Electrotechnical Vocabulary (IEV) – Part 151: Electrical and magnetic devices*

IEC 60255-27:2013, *Measuring relays and protection equipment – Part 27: Product safety requirements*

IEC 60529:1989, *Degrees of protection provided by enclosures (IP Code)*

IEC 61000-4-2, *Electromagnetic compatibility (EMC) – Part 4-2: Testing and measurement techniques – Electrostatic discharge immunity test*

IEC 61000-4-3, *Electromagnetic compatibility (EMC) – Part 4-3: Testing and measurement techniques – Radiated, radio-frequency, electromagnetic field immunity test*

IEC 61000-4-4, *Electromagnetic compatibility (EMC) – Part 4-4: Testing and measurement techniques – Electrical fast transient/burst immunity test*

IEC 61000-4-5, *Electromagnetic compatibility (EMC) – Part 4-5: Testing and measurement techniques – Surge immunity test*

IEC 61000-6-2, *Electromagnetic compatibility (EMC) – Part 6-2: Generic standards – Immunity standard for industrial environments*

IEC 60721-3-1:1997, *Classification of environmental conditions – Part 3-1: Classification of groups of environmental parameters and their severities – Storage*

IEC 60721-3-3:2002, *Classification of environmental conditions – Part 3: Classification of groups of environmental parameters and their severities – Stationary use at weather protected locations*

IEC 60834-1:1999, *Teleprotection equipment of power systems – Performance and testing – Part 1: Command systems*

IEC 61000-6-4:2018, *Electromagnetic compatibility (EMC) – Part 6-4: Generic standards – Emission standard for industrial environments*

IEC 61000-6-5:2015, *Electromagnetic compatibility (EMC) – Part 6-5: Generic standards – Immunity for equipment used in power station and substation environment*

IEC TS 62351-1:2007, *Power systems management and associated information exchange – Data and communications security – Part 1: Communication network and system security – Introduction to security issues*

IEC TS 62351-8:2011, *Power systems management and associated information exchange – Data and communications security – Part 8: Role-based access control*

IEC 62488-1:2012, *Power line communication systems for power utility applications – Part 1: Planning of analogue and digital power line carrier systems operating over EHV/HV/MV electricity grids*

IEC 62488-2:2017, *Power line communication systems for power utility applications – Part 2: Analogue power line carrier terminals or APLC*

CISPR 32:2015/AMD1:2019, *Electromagnetic compatibility of multimedia equipment – Emission requirements*

SOMMAIRE

AVANT-PROPOS	83
INTRODUCTION.....	85
1 Domaine d'application	87
2 Références normatives	88
3 Termes, définitions et abréviations	89
3.1 Termes et définitions	89
3.2 Abréviations.....	90
4 Structure générique des terminaux DPLC et ADPLC.....	91
5 Interfaces côté accès.....	94
5.1 Généralités	94
5.2 Interfaces numériques	94
5.2.1 Interface Ethernet IEEE 802.3	94
5.2.2 Interface série	95
5.3 Interfaces analogiques.....	95
5.4 Interface du système de téléprotection.....	96
5.4.1 Description	96
5.4.2 Téléprotection intégrée.....	96
5.4.3 Bande de fréquences de l'interface de téléprotection	96
5.4.4 Impédance de l'interface de téléprotection.....	96
5.4.5 Réflexion de l'interface de téléprotection	97
5.4.6 Niveaux de signal de l'interface de téléprotection	97
5.4.7 Circuits de commande de l'interface de téléprotection	97
6 Interface de ligne HF	97
6.1 Bande DPLC haute fréquence et disposition des canaux.....	97
6.2 Exactitude de la fréquence.....	98
6.3 Niveaux de signal	98
6.4 Émissions intrabandes	98
6.5 Impédance nominale.....	98
6.6 Affaiblissement de réflexion	98
6.7 Degré de dissymétrie par rapport à la terre	99
6.8 Affaiblissement dû à une dérivation.....	99
6.9 Émissions parasites	99
6.10 Puissance de sortie nominale dans la bande haute fréquence.....	100
7 Qualité et performances	100
7.1 Généralités	100
7.2 Plage dynamique du récepteur DPLC.....	101
7.3 Débit binaire	101
7.4 Temps de démarrage	102
7.5 Temps de rétablissement après perte de synchronisation	102
7.6 Sensibilité.....	102
7.7 Sélectivité	102
7.8 Adaptabilité aux conditions de la ligne de transmission	102
7.9 Qualité des canaux vocaux	103
7.10 Transmission de la signalisation téléphonique	103
7.11 Qualité des canaux de données série.....	103
7.11.1 Généralités.....	103

7.11.2	Débit binaire	104
7.11.3	BER.....	104
7.11.4	Retard nominal de la liaison de transmission	104
7.12	Qualité de la transmission des trames à l'aide d'interfaces Ethernet	104
7.12.1	Généralités	104
7.12.2	Vitesse LAN à LAN	104
7.12.3	Latence LAN à LAN	104
7.12.4	Perte de paquets lors du transfert par LAN	104
8	Essais	105
8.1	Généralités	105
8.2	Montage d'essai pour les essais de liaison DPLC	105
8.3	Rapport signal-bruit	105
8.4	Affaiblissement de réflexion	106
8.5	Degré de dissymétrie par rapport à la terre	107
8.5.1	Généralités	107
8.5.2	Affaiblissement de conversion longitudinale.....	107
8.5.3	Symétrie du signal de sortie	108
8.6	Affaiblissement dû à une dérivation.....	109
8.7	Émissions parasites et intrabandes.....	110
8.8	Sélectivité	111
8.9	Taux d'erreurs sur les bits.....	113
8.10	Retard de transmission des données série.....	115
8.11	Plage dynamique du récepteur DPLC.....	116
8.12	Essai LAN à LAN	116
8.12.1	Généralités	116
8.12.2	Débit LAN à LAN maximal	117
8.12.3	Latence LAN à LAN	117
8.13	Temps de démarrage	117
8.14	Temps de rétablissement après perte de synchronisation	118
9	Configuration et gestion.....	118
9.1	Généralités	118
9.2	Configuration	118
9.3	Système de gestion de réseau	118
9.4	Alarmes du terminal local.....	118
9.5	Journalisation d'événements	119
10	Cybersécurité	119
10.1	Généralités	119
10.2	Charge utile transmise	119
10.3	Interface de gestion	120
10.3.1	Généralités	120
10.3.2	Interfaces de gestion de type classique / Interfaces de gestion spécifiques au fabricant.....	120
10.3.3	Interfaces de gestion connectées LAN/WAN	120
10.3.4	Authentification et modèle d'accès fondé sur des rôles	120
10.4	Interface du système de gestion de réseau	121
10.5	Journalisation d'événements liés à la sécurité.....	121
11	Sécurité du DPLC	121
11.1	Généralités	121
11.2	Norme de référence en matière de sécurité.....	121

11.3	Classification des terminaux DPLC	121
11.4	Protection contre les pénétrations.....	123
11.5	Essais de type et essais individuels de série.....	123
12	Stockage et transport, conditions de fonctionnement, alimentation	125
12.1	Stockage et transport.....	125
12.1.1	Conditions climatiques.....	125
12.1.2	Conditions mécaniques.....	127
12.2	Conditions de fonctionnement.....	129
12.2.1	Conditions climatiques.....	129
12.2.2	Conditions mécaniques.....	130
12.2.3	Ensemble d'essais de vérification des conditions de fonctionnement	130
12.3	Alimentation.....	131
12.3.1	Alimentation en courant alternatif	131
12.3.2	Alimentation en courant continu.....	131
13	CEM.....	132
13.1	Normes de référence en matière d'émission et d'immunité.....	132
13.2	Émission.....	132
13.2.1	Émission rayonnée et conduite	132
13.2.2	Émission de perturbations basse fréquence.....	137
13.3	Immunité.....	137
13.3.1	Environnement CEM.....	137
13.3.2	Exigences de fonctionnement.....	139
13.3.3	Liste des essais d'immunité	139
Annexe A (informative)	Signal électrique modulé HF pour l'ADPLC.....	142
A.1	Généralités	142
A.2	Modèle de calcul de l'ADPLC.....	142
A.3	Distribution du rapport E/U des canaux vocaux	144
A.4	Distribution du rapport E/U des ondes sinusoïdales	146
A.5	Exemple de rapport E/U d'un signal numérique.....	146
A.6	Distribution composite des rapports E/U	148
A.7	Puissance efficace et capacité de charge des signaux vocaux.....	150
A.8	Capacité totale de charge pour l'ADPLC	152
A.9	Méthode de calcul simplifiée de la capacité totale de charge	153
Bibliographie	154

Figure 1	– Représentation schématique des éléments nécessaires à la mise en œuvre d'un système CPL.....	88
Figure 2	– Architecture générique d'un terminal DPLC.....	92
Figure 3	– Architecture générique d'un terminal ADPLC.....	93
Figure 4	– Connecteur de type ETH IEEE 802.3 RJ45	94
Figure 5	– Connecteur de type ETH IEEE 802.3 SC.....	95
Figure 6	– Limites d'affaiblissement dû à une dérivation pour les terminaux DPLC	99
Figure 7	– Niveau maximal des émissions parasites hors de la bande haute fréquence	100
Figure 8	– Points de référence pour le mesurage des paramètres DPLC.....	101
Figure 9	– Schéma fonctionnel d'un canal de données série	103
Figure 10	– Circuit d'essai pour le mesurage de l'affaiblissement de réflexion	106
Figure 11	– Circuit d'essai pour le mesurage de la LCL (accès transmission)	108

Figure 12 – Circuit d’essai pour le mesurage de l’OSB (accès Rx)	109
Figure 13 – Circuit d’essai pour le mesurage de l’affaiblissement dû à une dérivation.....	109
Figure 14 – Circuit d’essai pour le mesurage des émissions parasites et intrabandes	111
Figure 15 – Circuit d’essai pour le mesurage de la sélectivité	112
Figure 16 – Circuit d’essai pour le mesurage du taux d’erreurs sur les bits	114
Figure 17 – Circuit d’essai pour le mesurage du retard de transmission des données série avec testeur de données	115
Figure 18 – Circuit d’essai pour le mesurage du retard de transmission des données série	115
Figure 19 – Circuit d’essai pour le mesurage du débit maximal et de la latence	117
Figure 20 – Montage de mesure des perturbations BF	137
Figure A.1 – Modèle de calcul de la capacité de charge pour l’ADPLC.....	143
Figure A.2 – Distributions cumulatives du rapport E/U des canaux vocaux pour une demi-onde positive.....	145
Figure A.3 – Densité de probabilité d’ondes sinusoïdales combinées.....	146
Figure A.4 – Diagramme de constellation de 64-QAM	147
Figure A.5 – Spectres d’amplitude des sous-porteuses OFDM non modulées	147
Figure A.6 – Probabilité de la puissance des points de constellation en 64-QAM	148
Figure A.7 – Distribution cumulative des rapports E/U globaux	149
Figure A.8 – Distribution cumulative du volume équivalent pour N canaux système	151
Tableau 1 – Dépendance de la qualité du canal vocal vis-à-vis de la capacité du DPLC	103
Tableau 2 – Isolation principale (Tableau C.6 de l’IEC 60255-27:2013).....	122
Tableau 3 – Isolation double ou renforcée (Tableau C.10 de l’IEC 60255-27:2013).....	122
Tableau 4 – Liste des essais de type et des essais individuels de série (Tableau 12 de l’IEC 60255-27:2013).....	124
Tableau 5 – Classification des conditions climatiques (Tableau 1 de l’IEC 60721-3- 1:1997)	126
Tableau 6 – Essais climatiques pour le stockage et le transport.....	127
Tableau 7 – Classification des conditions mécaniques pour le transport (Tableau 5 de l’IEC 60721-3-2:1997)	128
Tableau 8 – Classification des conditions climatiques à partir du Tableau 1 de l’IEC 60721-3-3:2002.....	129
Tableau 9 – Classification des conditions mécaniques à partir du Tableau 6 de l’IEC 60721-3-3:2002.....	130
Tableau 10 – Essais climatiques	130
Tableau 11 – Essai aux vibrations sinusoïdales	131
Tableau 12 – Essai de chocs non répétitifs	131
Tableau 13 – Émission – Accès par l’enveloppe (Tableau 1 de l’IEC 61000-6-4:2011)	133
Tableau 14 – Émission – Accès aux réseaux d’alimentation en courant alternatif et en courant continu à basse tension (Tableau 2 de l’IEC 61000-6-4:2011)	135
Tableau 15 – Émission – Accès de télécommunication/par le réseau (Tableau 3 de l’IEC 61000-6-4:2011)	136
Tableau 16 – Caractérisation des phénomènes électromagnétiques (Tableau 1 de l’IEC 61000-6-5:2015)	138
Tableau 17 – Classification des accès	138

Tableau 18 – Critères de performance	139
Tableau 19 – Liste des essais d’immunité	140
Tableau A.1 – Formule d’approximation pour la distribution cumulative du rapport E/U de la parole.....	145
Tableau A.2 – PDF de la puissance des points de constellation dans un diagramme de constellation en 64-QAM.....	148
Tableau A.3 – Calcul de $P_{RMS}(1\%)$ et de la capacité de charge.....	152

COMMISSION ÉLECTROTECHNIQUE INTERNATIONALE

**SYSTÈMES DE COMMUNICATION SUR LIGNES D'ÉNERGIE POUR LES
APPLICATIONS DES COMPAGNIES D'ÉLECTRICITÉ –****Partie 3: Équipements terminaux à courants porteurs sur lignes d'énergie
numériques (DPLC) et équipements terminaux hybrides ADPLC**

AVANT-PROPOS

- 1) La Commission Électrotechnique Internationale (IEC) est une organisation mondiale de normalisation composée de l'ensemble des comités électrotechniques nationaux (Comités nationaux de l'IEC). L'IEC a pour objet de favoriser la coopération internationale pour toutes les questions de normalisation dans les domaines de l'électricité et de l'électronique. À cet effet, l'IEC – entre autres activités – publie des Normes internationales, des Spécifications techniques, des Rapports techniques, des Spécifications accessibles au public (PAS) et des Guides (ci-après dénommés "Publication(s) de l'IEC"). Leur élaboration est confiée à des comités d'études, aux travaux desquels tout Comité national intéressé par le sujet traité peut participer. Les organisations internationales, gouvernementales et non gouvernementales, en liaison avec l'IEC, participent également aux travaux. L'IEC collabore étroitement avec l'Organisation Internationale de Normalisation (ISO), selon des conditions fixées par accord entre les deux organisations.
- 2) Les décisions ou accords officiels de l'IEC concernant les questions techniques représentent, dans la mesure du possible, un accord international sur les sujets étudiés, étant donné que les Comités nationaux de l'IEC intéressés sont représentés dans chaque comité d'études.
- 3) Les Publications de l'IEC se présentent sous la forme de recommandations internationales et sont agréées comme telles par les Comités nationaux de l'IEC. Tous les efforts raisonnables sont entrepris afin que l'IEC s'assure de l'exactitude du contenu technique de ses publications; l'IEC ne peut pas être tenue responsable de l'éventuelle mauvaise utilisation ou interprétation qui en est faite par un quelconque utilisateur final.
- 4) Dans le but d'encourager l'uniformité internationale, les Comités nationaux de l'IEC s'engagent, dans toute la mesure possible, à appliquer de façon transparente les Publications de l'IEC dans leurs publications nationales et régionales. Toutes divergences entre toutes Publications de l'IEC et toutes publications nationales ou régionales correspondantes doivent être indiquées en termes clairs dans ces dernières.
- 5) L'IEC elle-même ne fournit aucune attestation de conformité. Des organismes de certification indépendants fournissent des services d'évaluation de conformité et, dans certains secteurs, accèdent aux marques de conformité de l'IEC. L'IEC n'est responsable d'aucun des services effectués par les organismes de certification indépendants.
- 6) Tous les utilisateurs doivent s'assurer qu'ils sont en possession de la dernière édition de cette publication.
- 7) Aucune responsabilité ne doit être imputée à l'IEC, à ses administrateurs, employés, auxiliaires ou mandataires, y compris ses experts particuliers et les membres de ses comités d'études et des Comités nationaux de l'IEC, pour tout préjudice causé en cas de dommages corporels et matériels, ou de tout autre dommage de quelque nature que ce soit, directe ou indirecte, ou pour supporter les coûts (y compris les frais de justice) et les dépenses découlant de la publication ou de l'utilisation de cette Publication de l'IEC ou de toute autre Publication de l'IEC, ou au crédit qui lui est accordé.
- 8) L'attention est attirée sur les références normatives citées dans cette publication. L'utilisation de publications référencées est obligatoire pour une application correcte de la présente publication.
- 9) L'attention est attirée sur le fait que certains des éléments de la présente Publication de l'IEC peuvent faire l'objet de droits de brevet. L'IEC ne saurait être tenue pour responsable de ne pas avoir identifié de tels droits de brevets et de ne pas avoir signalé leur existence.

La présente Norme internationale a été établie par le comité d'études 57 de l'IEC: Gestion des systèmes de puissance et échanges d'informations associées.

Cette première édition de l'IEC 62488-3 annule et remplace les parties concernées de l'IEC TR 60663 et de l'IEC 60495, qui seront retirées à l'avenir.

La présente version bilingue (2021-10) correspond à la version anglaise monolingue publiée en 2021-04.

La version française de cette norme n'a pas été soumise au vote.

Cette publication a été rédigée selon les Directives ISO/IEC, Partie 2.

Une liste de toutes les parties de la série IEC 62488, publiées sous le titre général *Systèmes de communication sur lignes d'énergie pour les applications des compagnies d'électricité*, peut être consultée sur le site web de l'IEC.

Le comité a décidé que le contenu de cette publication ne sera pas modifié avant la date de stabilité indiquée sur le site web de l'IEC sous "<http://webstore.iec.ch>" dans les données relatives au document recherché. À cette date, le document sera

- reconduit,
- supprimé,
- remplacé par une édition révisée, ou
- amendé.

IMPORTANT – Le logo "colour inside" qui se trouve sur la page de couverture de cette publication indique qu'elle contient des couleurs qui sont considérées comme utiles à une bonne compréhension de son contenu. Les utilisateurs devraient, par conséquent, imprimer le présent document en utilisant une imprimante couleur.

INTRODUCTION

Les communications par courants porteurs sur lignes d'énergie se sont répandues dans le monde entier depuis la première introduction de cette forme de communication dans l'industrie des systèmes électriques. Ce développement mondial sera couvert par de nouvelles normes reflétant l'état actuel des communications CPL numériques.

Les services de communication offerts par les liaisons et les réseaux modernes de courants porteurs sur lignes d'énergie numériques permettent une grande efficacité dans la transmission de données et, partant, un faible coût de fonctionnement des équipements d'automatisation destinés surtout aux lignes de transport d'énergie à haute tension et longue distance.

Les terminaux CPL analogiques et numériques peuvent coexister au moyen de l'utilisation des principes du multiplexage par répartition de la fréquence, qui permettent une numérisation successive des communications CPL.

Les terminaux CPL numériques peuvent également être combinés aux voies de transmission CPL traditionnelles analogiques en tant qu'équipements CPL hybrides analogiques et numériques, pour assurer une communication fiable et homogène pour la commande et/ou la protection. Ces équipements hybrides fonctionnent à des niveaux de tension extra hauts, hauts et moyens (des réseaux de transport d'électricité) et dans des réseaux de distribution électrique haute tension.

L'IEC 62488 comprend quatre parties traitant de tous les aspects des systèmes de communication sur lignes d'énergie fonctionnant sur des lignes électriques.

L'IEC 62488 s'applique aux équipements et systèmes terminaux à courants porteurs sur lignes d'énergie (CPL) utilisés pour transmettre des informations sur les réseaux électriques, ce qui englobe les lignes d'énergie extra haute, haute et moyenne tension (EHT/HT/MT).

Cette série de normes est présentement organisée comme suit:

- IEC 62488-1, *Conception des systèmes à courants porteurs de lignes d'énergie analogiques et numériques fonctionnant sur des réseaux d'électricité EHT/HT/MT*
- IEC 62488-2, *Équipements terminaux à courants porteurs sur lignes d'énergie analogiques ou APLC*
- IEC 62488-3, *Équipements terminaux à courants porteurs sur lignes d'énergie numériques ou DPLC et équipements terminaux hybrides ADPLC*
- IEC 62488-4, *Systèmes sur lignes d'énergie à large bande ou BPL*

NOTE L'IEC 62488-4 n'est pas encore publiée.

Le présent document est la troisième partie de l'IEC 62488. Il est constitué des articles suivants:

- Article 1 – Domaine d'application de l'IEC 62488-3
- Article 2 – Références normatives
- Article 3 – Termes, définitions et abréviations nouvellement introduits dans le présent document en plus de ceux de l'IEC 62488-1 et de l'IEC 62488-2
- Article 4 – Présentation des architectures génériques des terminaux DPLC et des terminaux hybrides ADPLC.
- Article 5 – Description des interfaces côté accès des terminaux DPLC et des terminaux hybrides ADPLC.
- Article 6 – Description de l'interface haute fréquence côté ligne de transmission et des paramètres associés.

- Article 7 – Description de plusieurs exigences relatives à la qualité et aux performances d'un ou de plusieurs terminaux DPLC interconnectés.
- Article 8 – Description du montage d'essai et de la méthodologie d'essai.
- Article 9 – Description des exigences de configuration et de gestion des terminaux DPLC.
- Article 10 – Description des exigences générales en matière de cybersécurité
- Article 11 – Description des exigences de sécurité
- Article 12 – Spécification des exigences en matière de stockage et transport, de conditions de fonctionnement et d'alimentation
- Article 13 – Spécification des exigences CEM

SYSTÈMES DE COMMUNICATION SUR LIGNES D'ÉNERGIE POUR LES APPLICATIONS DES COMPAGNIES D'ÉLECTRICITÉ –

Partie 3: Équipements terminaux à courants porteurs sur lignes d'énergie numériques (DPLC) et équipements terminaux hybrides ADPLC

1 Domaine d'application

La présente partie de l'IEC 62488 s'applique aux équipements terminaux et aux réseaux à courants porteurs sur lignes d'énergie utilisés pour transmettre des informations sur les réseaux électriques, ce qui englobe les lignes d'énergie extra haute, haute et moyenne tension (EHT/HT/MT) qui utilisent les systèmes de modulation numériques et, éventuellement, analogiques dans une plage de fréquences comprise entre 16 kHz et 1 MHz (voir aussi l'IEC 62488-1).

Dans de nombreux pays, les canaux à courants porteurs sur lignes d'énergie (CPL) constituent une partie essentielle du système de télécommunication propre aux compagnies d'électricité. Un circuit normalement établi par un canal CPL peut aussi être acheminé par un canal utilisant un support de transmission différent, tel qu'une liaison radio point à point, une fibre optique ou une ligne filaire.

Il est donc important que les interfaces d'entrée et de sortie utilisées entre les terminaux dans le système de communication soient normalisées.

Les aspects qui exigent de prendre en considération les dispositifs DPLC et/ou APLC comme des composants d'un réseau de télécommunications figurent dans l'IEC 62488-1.

La Figure 1 représente la correspondance entre les éléments nécessaires à la mise en œuvre des systèmes CPL et les Normes internationales associées.

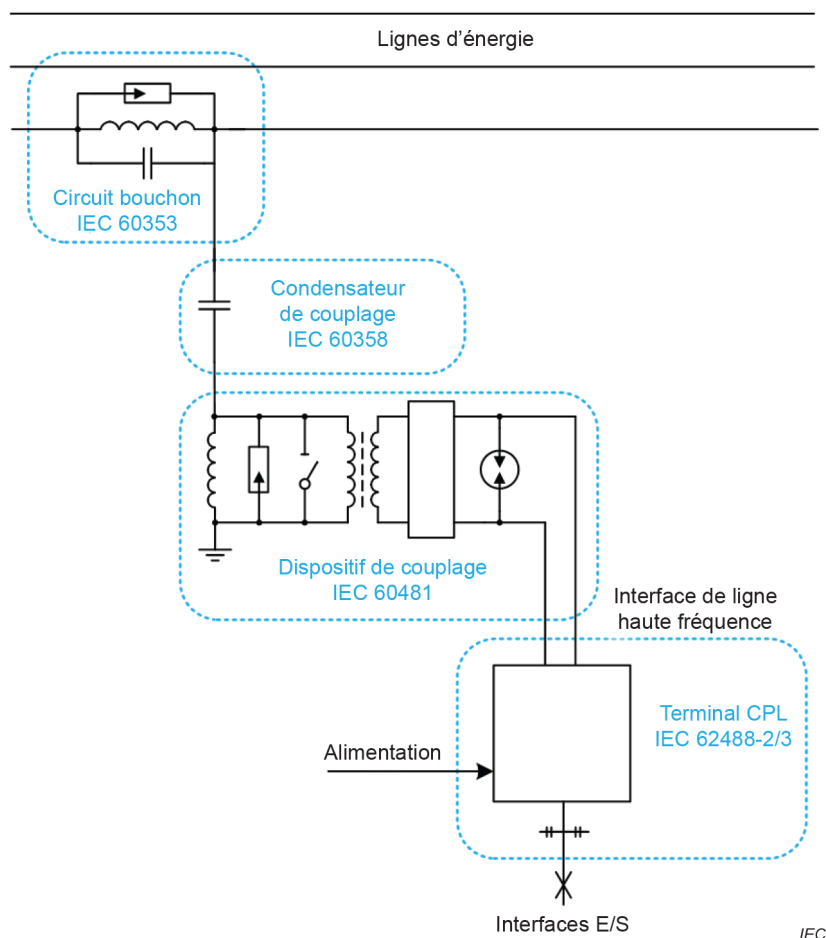


Figure 1 – Représentation schématique des éléments nécessaires à la mise en œuvre d'un système CPL

Le domaine d'application du présent document couvre également la description des interfaces E/S et des montages d'essai nécessaires pour qualifier au niveau liaison les caractéristiques d'un terminal DPLC ou ADPLC.

2 Références normatives

Les documents suivants sont cités dans le texte de sorte qu'ils constituent, pour tout ou partie de leur contenu, des exigences du présent document. Pour les références datées, seule l'édition citée s'applique. Pour les références non datées, la dernière édition du document de référence s'applique (y compris les éventuels amendements).

IEC 60038, *Tensions normales de la CEI*

IEC 60050-151:2001, *Vocabulaire Électrotechnique International (IEV) – Partie 151: Dispositifs électriques et magnétiques*

IEC 60255-27:2013, *Relais de mesure et dispositifs de protection – Partie 27: Exigences de sécurité*

IEC 60529:1989, *Degrés de protection procurés par les enveloppes (Code IP)*

IEC 61000-4-2, *Compatibilité électromagnétique (CEM) – Partie 4-2: Techniques d'essai et de mesure – Essai d'immunité aux décharges électrostatiques*

IEC 61000-4-3, *Compatibilité électromagnétique (CEM) – Partie 4-3: Techniques d'essai et de mesure – Essai d'immunité aux champs électromagnétiques rayonnés aux fréquences radioélectriques*

IEC 61000-4-4, *Compatibilité électromagnétique (CEM) – Partie 4-4: Techniques d'essai et de mesure – Essai d'immunité aux transitoires électriques rapides en salves*

IEC 61000-4-5, *Compatibilité électromagnétique (CEM) – Partie 4-5: Techniques d'essai et de mesure – Essai d'immunité aux ondes de choc*

IEC 61000-6-2, *Compatibilité électromagnétique (CEM) – Partie 6-2: Normes génériques – Norme d'immunité pour les environnements industriels*

IEC 60721-3-1:1997, *Classification des conditions d'environnement – Partie 3-1: Classification des groupements des agents d'environnement et de leurs sévérités – Stockage*

IEC 60721-3-3:2002, *Classification des conditions d'environnement – Partie 3: Classification des groupements des agents d'environnement et de leurs sévérités – Section 3: Utilisation à poste fixe, protégé contre les intempéries*

IEC 60834-1:1999, *Matériels de téléprotection des réseaux d'énergie électrique – Performances et essais – Partie 1: Systèmes de commande*

IEC 61000-6-4:2018, *Compatibilité électromagnétique (CEM) – Partie 6-4: Normes génériques – Norme sur l'émission pour les environnements industriels*

IEC 61000-6-5:2015, *Compatibilité électromagnétique (CEM) – Partie 6-5: Normes génériques – Immunité pour les équipements utilisés dans les environnements de centrales électriques et de postes*

IEC TS 62351-1:2007, *Power system management and associated information exchange) – Data and communication security – Part 1: Communication network and system security – Introduction to security issues (disponible en anglais seulement)*

IEC TS 62351-8:2011, *Power system management and associated information exchange) – Data and communication security – Part 8: Role-based access control (disponible en anglais seulement)*

IEC 62488-1:2012, *Systèmes de communication sur lignes d'énergie pour les applications des compagnies d'électricité – Partie 1: Conception des systèmes à courants porteurs de lignes d'énergie analogiques et numériques fonctionnant sur des réseaux d'électricité EHT/HT/MT*

IEC 62488-2:2017, *Systèmes de communication sur lignes d'énergie pour les applications des compagnies d'électricité – Partie 2: Équipements terminaux à courants porteurs sur lignes d'énergie analogiques ou APLC*

CISPR 32:2015/AMD1:2019, *Compatibilité électromagnétique des équipements multimédia – Exigences d'émission*